



Total Food-Service Solutions

Modular Cooking – Meritus 750

Electric Bain Marie

NEBM 4-75 MR



*Due to routine technical improvement, the photograph shown may not represent the latest design of the products.

AVAILABLE MODEL

1. NEBM 4-75 MR

DESCRIPTION

Electric Bain Marie with 2 kW power rate. Water temperature maintained by thermostat with maximum working temperature of 90°C, unit to be installed on open cabinet or similar elements, cantilever, or solid block solutions. Featuring removable clip joint to connect Meritus family product.

ITEM# : _____

MODEL# : _____

NAME : _____

SN : _____

MAIN FEATURE

- Maximum working temperature of 90°C.
- Unit to be installed free standing, can be joined with base cabinet, table stand or cantilever system.
- Service maintenance can be done from the front panel.
- Manual refill of water in the basin.
- Removable food pan.
- Fully welded basin with water level marks.

CONSTRUCTION

- All exterior panels in 304 type of Stainless Steel
- Orbital top panel anti-scratch finishing.
- Top and side are mounted by 1.5 mm of Stainless Steel
- 200 mm depth of double bowls
- Adjustable ± 25 mm Stainless Steel leg.
- Certified IPX4 protection

INCLUDED ACCESSORIES

- N/A

OPTIONAL ACCESSORIES

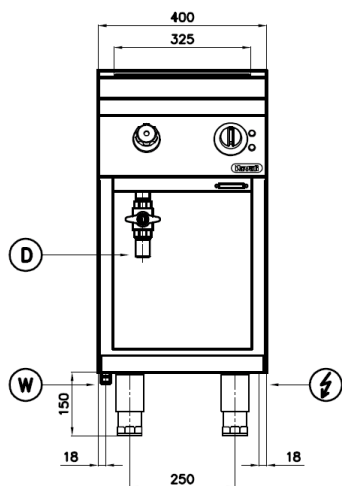
- Clip Plate for Joining
- Food Pan

: _____

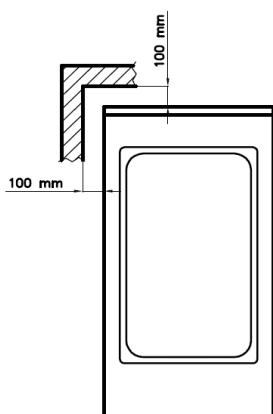
The company reserves the right to make modifications to the products without prior notice. All information correct at time of printing.
2018.06.26



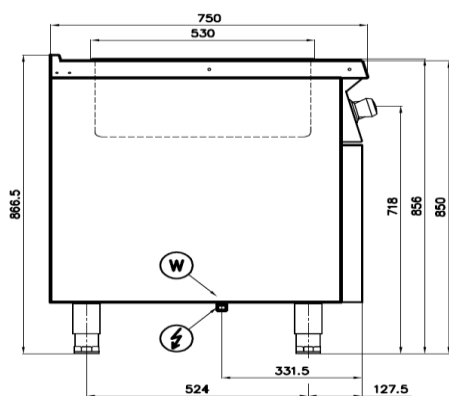
FRONT



TOP



SIDE



- Electric Connection
- Water Connection R 1/2"
- Drainage R 1"

* Overall Dimension in mm

ELECTRIC

Electrical rating (kW)	:	2
Element rating (kW)	:	2
Electrical supply voltage	:	230V 3N
Required electrical supply (amps):		9
Electrical current split (amps) :		L1: 9
		L2: 9
		L3: 9

KEY INFORMATION

Cooking surface (WxD)	:	310x510 mm
Direct heat emission	:	0.25 kW
Latent heat emission	:	0.40 kW
Steam emission	:	0.59 kg / h
Min. working temperature	:	30°C
Max. working temperature	:	90°C
Water inlet	:	R 1/2"
Water drain	:	R 1"
Number of heaters	:	1 silicon heater
Net weight	:	48 kg
Shipping height	:	1000 mm
Shipping width	:	460 mm
Shipping depth	:	840 mm
Shipping volume	:	0.386 m ³